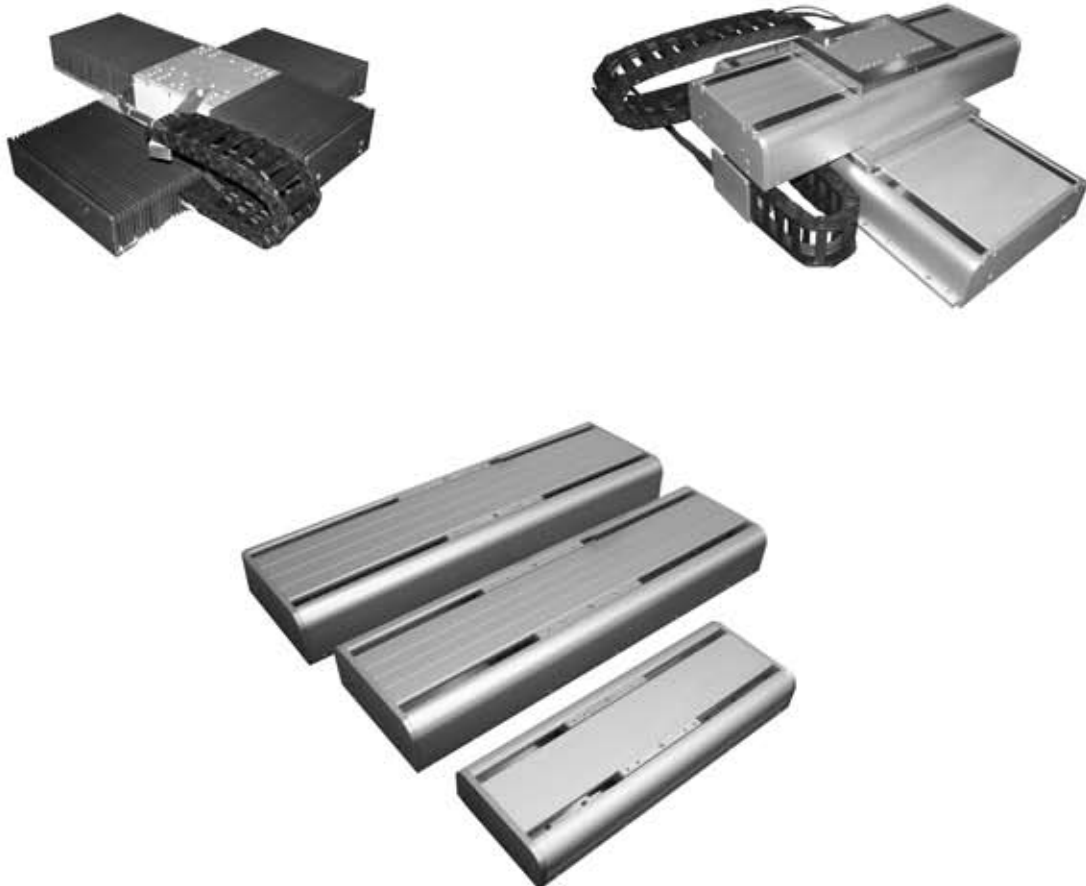
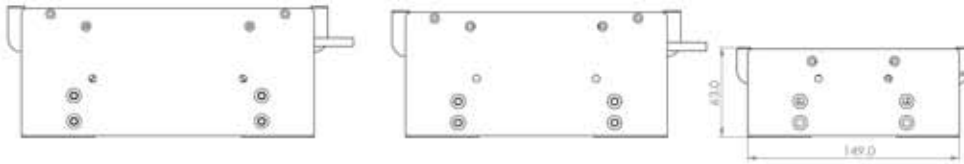


DGL Series Double Guides Linear Motor Module

- *Direct drive*
- *Zero cogging*
- *Zero backlash ironless linear motor*
- *High speed and high acceleration*
- *Fast response and quick settling time*
- *High precision*
- *Smooth motion at low speed (low velocity)*
- *Precise homing through encoder index pulse*



DGL150 Series (Standard Cover)

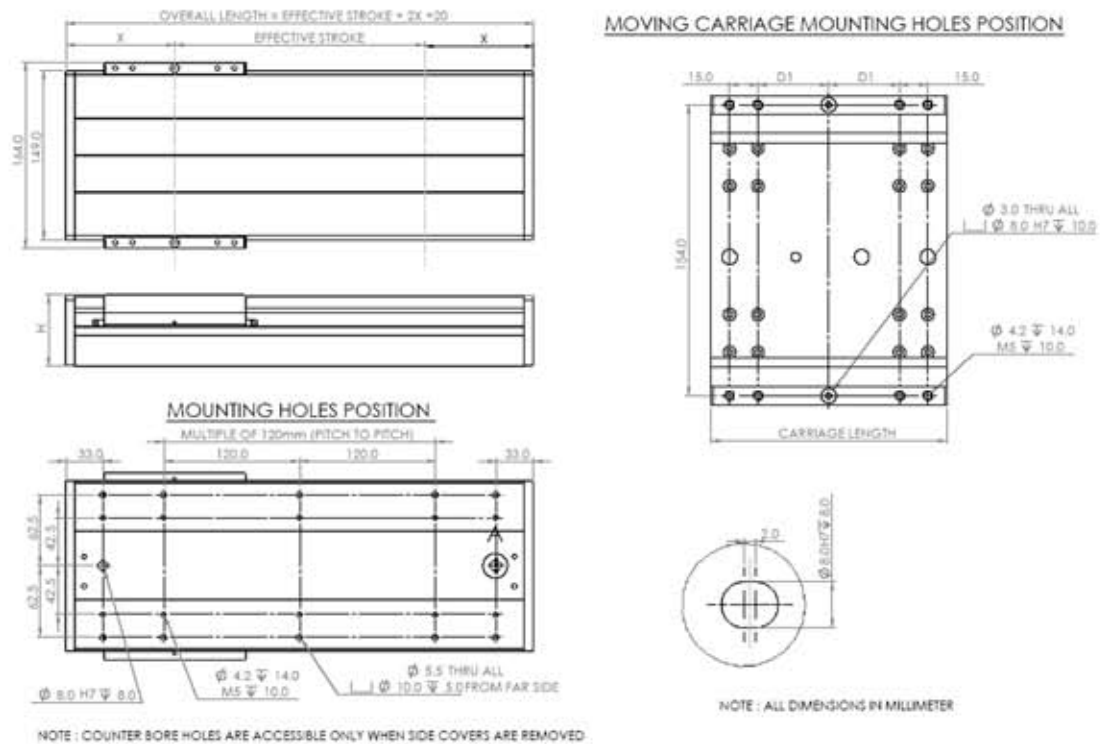


Datasheet

Specification Model	Effective stroke (mm)	Carriage length (mm)	Overall length (mm)	H (mm)	D1 (mm)	X (mm)	Overall mass (kg)	Moving mass (kg)	Continuous force at 100°C (N)	Peak force (N)
DGL150-S2 <i>(driven by AUM2-S2)</i>	200	125.0	413	63.0	37.5	96.5	6.4	0.85	22.0	88.0
	300		513				7.7			
	400		613				9.0			
	500		713				10.3			
	600		813				11.6			
	1000		1213	16.9						
	1200		1413	19.5						
	1500		1713	23.5						
	1700		1913	26.3						
DGL150-S3 <i>(driven by AUM2-S3)</i>	200	125.0	413	63.0	37.5	96.5	6.5	0.91	33.0	132.0
	300		513				7.8			
	400		613				9.1			
	500		713				10.4			
	600		813				11.7			
	1000		1213	17.0						
	1200		1413	19.6						
	1500		1713	23.5						
	1700		1913	26.4						
DGL150-S4 <i>(driven by AUM2-S4)</i>	200	125.0	413	63.0	37.5	96.5	6.6	0.96	44.0	176.0
	300		513				7.9			
	400		613				9.2			
	500		713				10.5			
	600		813				11.8			
	1000		1213	17.1						
	1200		1413	19.7						
	1500		1713	23.6						
	1700		1913	26.5						

¹ Subjected to confirmation

Dimensional Drawing



Part Numbering

Motor series (type)	Motor size (type)	¹ Effective stroke (mm)	Encoder resolution (μm)	² Cover option (type)
DGL150	- S2, S3, or S4	- 200 – 2500	- 0.1, 1.0, or 5.0	- S, C, B, or CR

Example : DGL150-S2-300-0.1-S

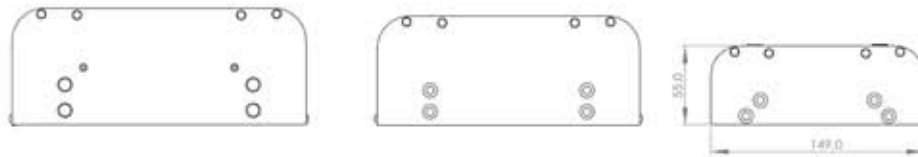
Matching Drivers / Amplifiers

DAP31, DDP21, DDP51, ADL43

¹ Please contact us for customized stroke

² S = Standard cover type
C = Conventional cover type
B = Bellows cover type
CR = Clean Room cover type

DGL150 Series (Conventional Cover)

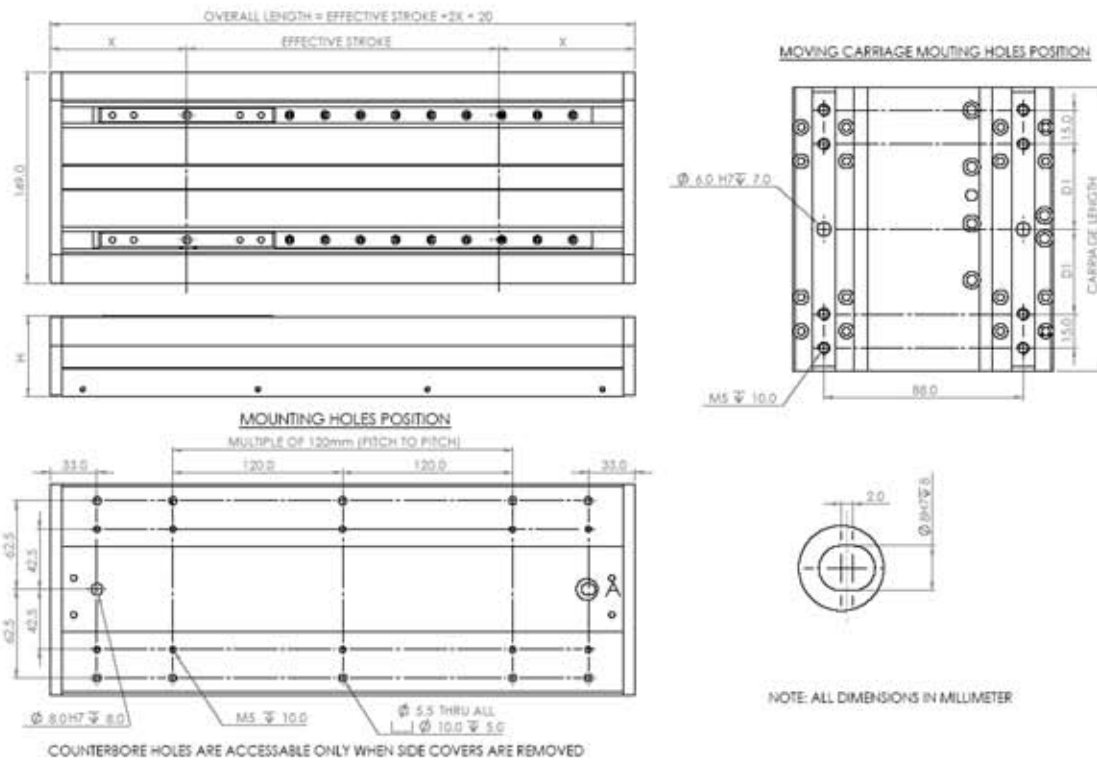


Datasheet

Specification Model	Effective stroke (mm)	Carriage length (mm)	Overall length (mm)	H (mm)	D1 (mm)	X (mm)	Overall mass (kg)	Moving mass (kg)	Continuous force at 100°C (N)	Peak force (N)
DGL150-S2 (driven by AUM2-S2)	200	125.0	413	57.0	37.5	96.5	5.7	0.65	22.0	88.0
	300		513				6.8			
	400		613				8.1			
	500		713				9.2			
	600		813				10.5			
	1000		1213				15.2			
	1200		1413	17.6						
	1500		1713	¹ 67.0			21.2			
	1700		1913				23.5			
DGL150-S3 (driven by AUM2-S3)	200	125.0	413	57.0	37.5	96.5	5.8	0.71	33.0	132.0
	300		513				6.9			
	400		613				8.2			
	500		713				9.3			
	600		813				10.6			
	1000		1213				15.3			
	1200		1413	17.7						
	1500		1713	¹ 67.0			21.3			
	1700		1913				23.6			
DGL150-S4 (driven by AUM2-S4)	200	125.0	413	57.0	37.5	96.5	5.9	0.77	44.0	176.0
	300		513				7.0			
	400		613				8.3			
	500		713				9.4			
	600		813				10.7			
	1000		1213				15.4			
	1200		1413	17.8						
	1500		1713	¹ 67.0			21.4			
	1700		1913				23.7			

¹ Subjected to confirmation

Dimensional Drawing



Part Numbering

Motor series (type)	Motor size (type)	¹ Effective stroke (mm)	Encoder resolution (μm)	² Cover option (type)
DGL150	S2, S3, or S4	200 – 2500	0.1, 1.0, or 5.0	S, C, B, or CR

Example : DGL150-S2-300-0.1-C

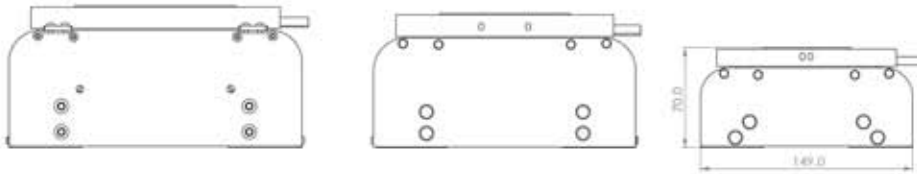
Matching Drivers / Amplifiers

DAP31, DDP21, DDP51, ADL43

¹ Please contact us for customized stroke

² S = Standard cover type
C = Conventional cover type
B = Bellow cover type
CR = Clean Room cover type

DGL150 Series (Clean Room Cover)

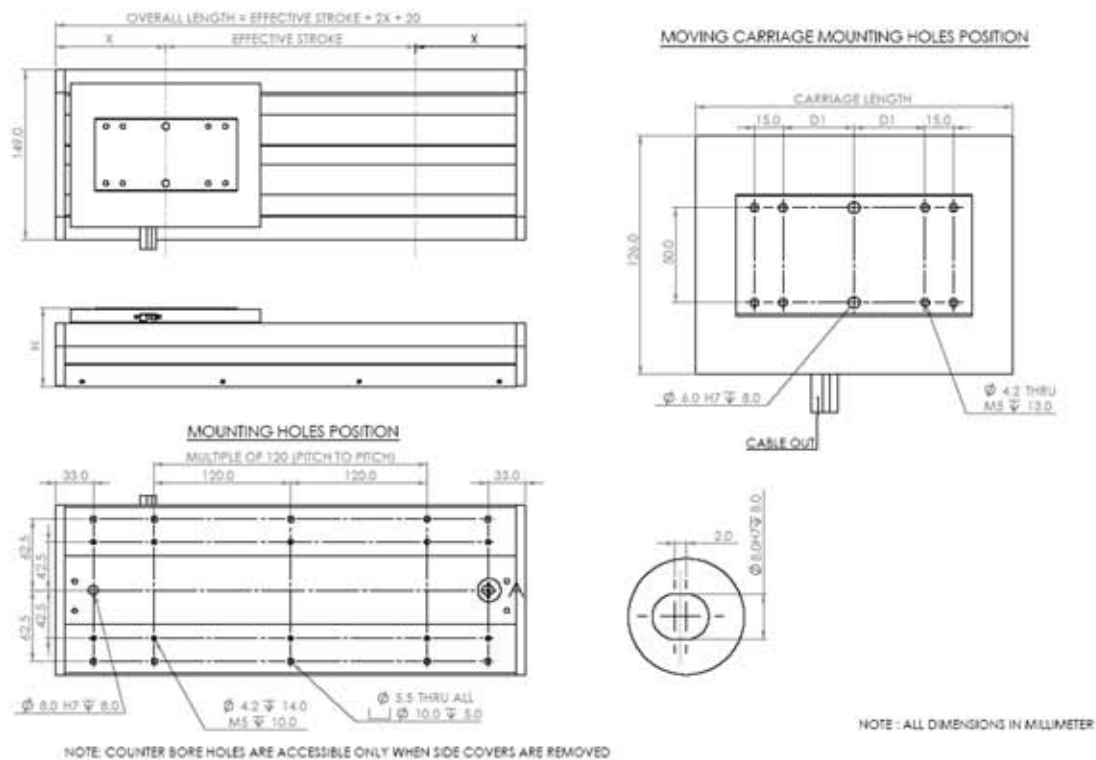


Datasheet

Specification Model	Effective stroke (mm)	Carriage length (mm)	Overall length (mm)	H (mm)	D1 (mm)	X (mm)	Overall mass (kg)	Moving mass (kg)	Continuous force at 100°C (N)	Peak force (N)
DGL150-S2 <i>(driven by AUM2-S2)</i>	200	167.0	413	70.0	37.5	96.5	6.4	1.35	22.0	88.0
	300		513				7.6			
	400		613				8.7			
	500		713				9.9			
	600		813				11.2			
	1000		1213				15.9			
	1200		1413	18.3						
	1500		1713	¹ 80.0			21.9			
	1700		1913				25.7			
DGL150-S3 <i>(driven by AUM2-S3)</i>	200	167.0	413	70.0	37.5	96.5	6.5	1.41	33.0	132.0
	300		513				7.7			
	400		613				8.8			
	500		713				10.0			
	600		813				11.3			
	1000		1213				16.0			
	1200		1413	22.0						
	1500		1713	¹ 80.0			21.9			
	1700		1913				25.8			
DGL150-S4 <i>(driven by AUM2-S4)</i>	200	167.0	413	70.0	37.5	96.5	6.6	1.47	44.0	176.0
	300		513				7.8			
	400		613				8.9			
	500		713				10.1			
	600		813				11.4			
	1000		1213				16.1			
	1200		1413	22.1						
	1500		1713	¹ 80.0			22.0			
	1700		1913				25.9			

¹ Subjected to confirmation

Dimensional Drawing



Part Numbering

Motor series (type)	Motor size (type)	¹ Effective stroke (mm)	Encoder resolution (μm)	² Cover option (type)
DGL150	- S2, S3, or S4	- 200 – 2500	- 0.1, 1.0, or 5.0	- S, C, B, or CR

Example : DGL150-S2-300-0.1-CR

Matching Drivers / Amplifiers

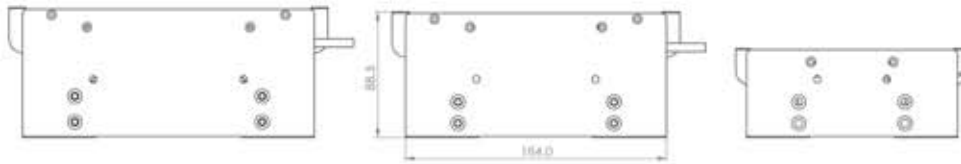
DAP31, DDP21, DDP51, ADL43

¹ Please contact us for customized stroke

²

- S = Standard cover type
- C = Conventional cover type
- B = Bellow cover type
- CR = Clean Room cover type

DGL180 Series (Standard Cover)

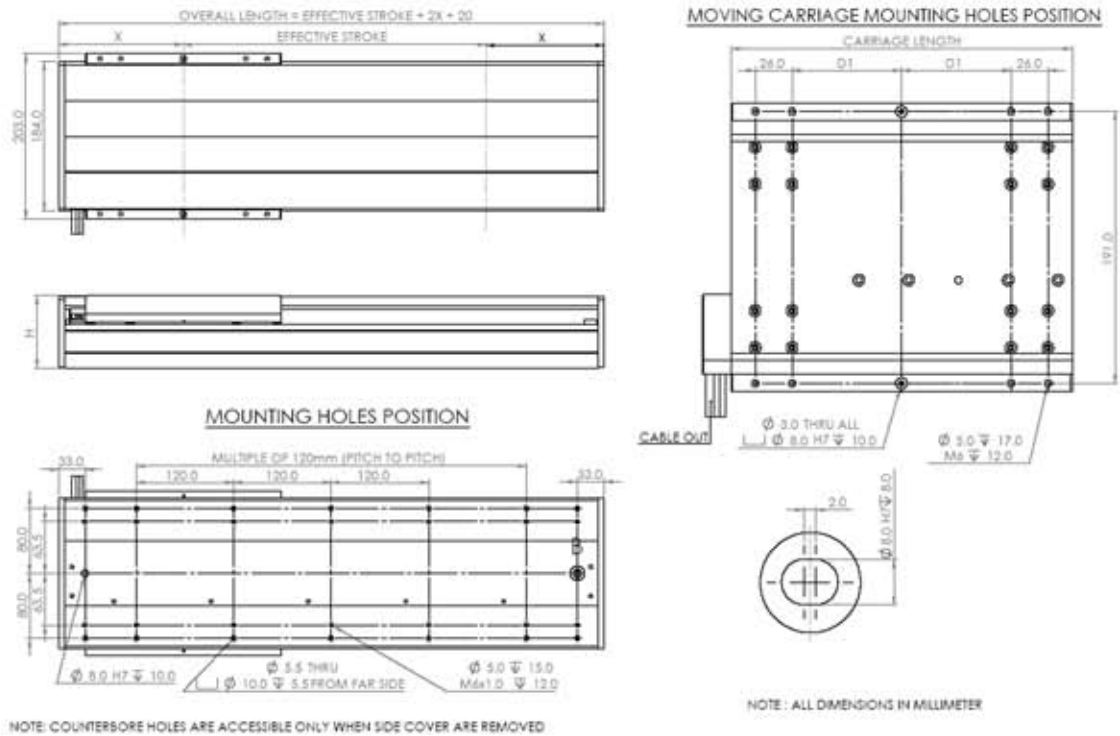


Datasheet

Specification Model	Effective stroke (mm)	Carriage length (mm)	Overall length (mm)	H (mm)	D1 (mm)	X (mm)	Overall mass (kg)	Moving mass (kg)	Continuous force at 100°C (N)	Peak force (N)
DGL180-S2 <i>(driven by AUM3-S2)</i>	200	180.0	472	88.5	47.0	126.0	12.7	2.60	72.0	288.0
	300		572				14.5			
	400		672				16.5			
	500		772				18.6			
	600		872				20.3			
	1000		1272				28.2			
	1200		1472				30.8			
	1500		1772				37.9			
	2000		2272				¹ 98.5			
	2500		2772	57.5						
	DGL180-S3 <i>(driven by AUM3-S3)</i>		200	240.0			532			
300		632	15.9							
400		732	18.0							
500		832	20.0							
600		932	21.8							
1000		1332	29.7							
1200		1532	32.2							
1500		1832	39.3							
2000		2332	¹ 98.5		48.7					
2500		2832	58.7							
DGL180-S4 <i>(driven by AUM3-S4)</i>		200	240.0		532	88.5	77.0	156.0	14.7	4.10
	300	632		16.9						
	400	732		19.0						
	500	832		21.0						
	600	932		22.8						
	1000	1332		30.7						
	1200	1532		33.2						
	1500	1832		40.3						
	2000	2332		¹ 98.5	40.7					
	2500	2832		59.7						

¹ Subjected to confirmation

Dimensional Drawing



Part Numbering

Motor series (type)	Motor size (type)	¹ Effective stroke (mm)	Encoder resolution (μm)	² Cover option (type)
DGL180	- S2, S3, or S4	- 200 – 2500	- 0.1, 1.0, or 5.0	- S, C, B, or CR

Example : DGL180-S2-300-0.1-S

Matching Drivers / Amplifiers

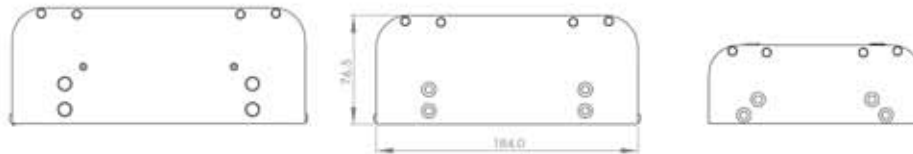
DAP31, DDP21, DDP51, ADL43

¹ Please contact us for customized stroke

²

- S = Standard cover type
- C = Conventional cover type
- B = Bellow cover type
- CR = Clean Room cover type

DGL180 Series (Conventional Cover)

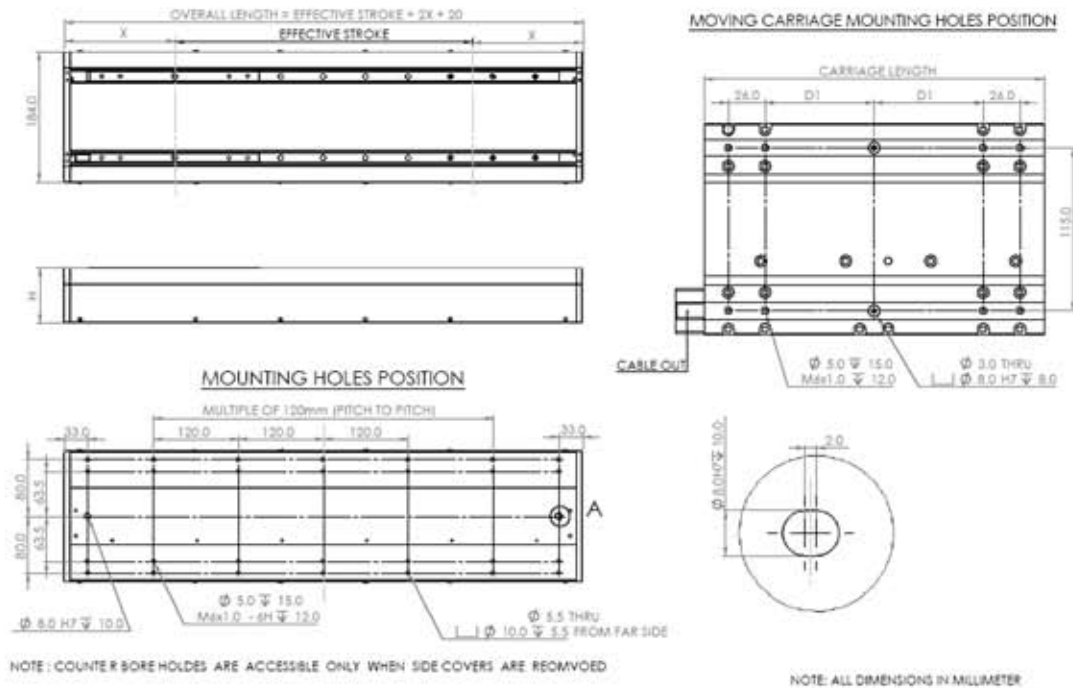


Datasheet

Specification Model	Effective stroke (mm)	Carriage length (mm)	Overall length (mm)	H (mm)	D1 (mm)	X (mm)	Overall mass (kg)	Moving mass (kg)	Continuous force at 100°C (N)	Peak force (N)
DGL180-S2 <i>(driven by AUM3-S2)</i>	200	180.0	472	78.0	47.0	126.0	10.6	2.60	72.0	288.0
	300		572				13.8			
	400		672				15.8			
	500		772				17.9			
	600		872				19.6			
	1000		1272				27.5			
	1200		1472				31.6			
	1500		1772				37.4			
	2000		2272	¹ 88.0			17.1			
	2500		2772	56.9						
	DGL180-S3 <i>(driven by AUM3-S3)</i>		200	240.0			532			
300		632	15.9							
400		732	17.9							
500		832	20.0							
600		932	21.7							
1000		1332	29.6							
1200		1532	33.4							
1500		1832	39.2							
2000		2332	¹ 98.5		48.6					
2500		2832	58.5							
DGL180-S4 <i>(driven by AUM3-S4)</i>		200	240.0		532	88.5	77.0	156.0	14.6	4.10
	300	632		16.9						
	400	732		18.9						
	500	832		21.0						
	600	932		22.7						
	1000	1332		30.6						
	1200	1532		34.4						
	1500	1832		40.2						
	2000	2332		¹ 98.5	49.6					
	2500	2832		59.5						

¹ Subjected to confirmation

Dimensional Drawing



Part Numbering

Motor series (type)	Motor size (type)	¹ Effective stroke (mm)	Encoder resolution (μm)	² Cover option (type)
DGL180	S2, S3, or S4	200 – 2500	0.1, 1.0, or 5.0	S, C, B, or CR

Example : DGL180-S2-300-0.1-C

Matching Drivers / Amplifiers

DAP31, DDP21, DDP51, ADL43

¹ Please contact us for customized stroke

²

- S = Standard cover type
- C = Conventional cover type
- B = Bellow cover type
- CR = Clean Room cover type

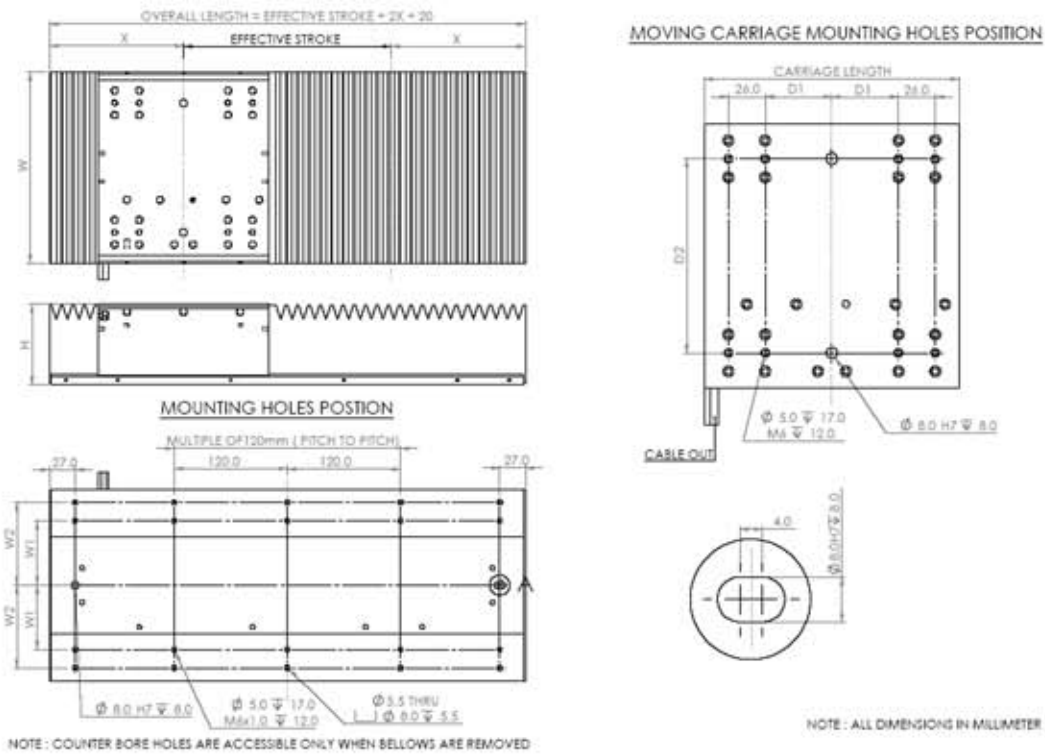
DGL180 Series (Bellow Cover)



Datasheet

Specification Model	Effective stroke (mm)	Carriage length (mm)	Overall length (mm)	H (mm)	D1 (mm)	X (mm)	Overall mass (kg)	Moving mass (kg)	Continuous force at 100°C (N)	Peak force (N)
DGL180-S2 <i>(driven by AUM3-S2)</i>	200	180.0	504	80.0	47.0	115.0	12.3	3.60	72.0	288.0
	300		644				14.1			
	400		774				16.0			
	500		914				17.8			
	600		1054				19.8			
DGL180-S3 <i>(driven by AUM3-S3)</i>	200	240.0	564	80.0	77.7	115.0	13.8	4.50	108.0	432.0
	300		704				15.5			
	400		834				17.7			
	500		974				19.3			
	600		1114				21.1			
DGL180-S4 <i>(driven by AUM3-S4)</i>	200	240.0	564	80.0	77.0	115.0	14.0	4.70	144.0	576.0
	300		704				15.7			
	400		834				17.9			
	500		974				19.5			
	600		1114				21.3			

Dimensional Drawing



Model	Dimension, mm		
	W	W1	W2
DGL180-S2	184.0	63.5	80.0
DGL180-S3	202.0	63.5	80.0
DGL180-S4	202.0	63.5	80.0

Part Numbering

Motor series (type)	Motor size (type)	¹ Effective stroke (mm)	Encoder resolution (μm)	² Cover option (type)
DGL180	- S2, S3, or S4	- 200 – 2500	- 0.1, 1.0, or 5.0	- S, C, B, or CR

Example : DGL180-S2-300-0.1-B

Matching Drivers / Amplifiers

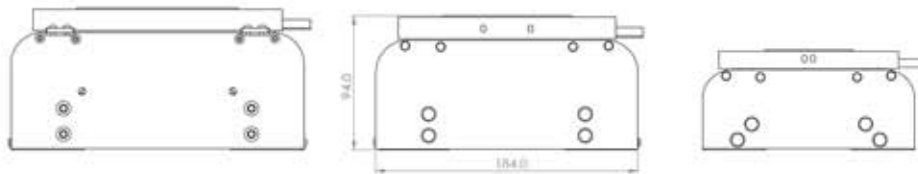
DAP31, DDP21, DDP51, ADL43

¹ Please contact us for customized stroke

²

- S = Standard cover type
- C = Conventional cover type
- B = Bellow cover type
- CR = Clean Room cover type

DGL180 Series (Clean Room Cover)

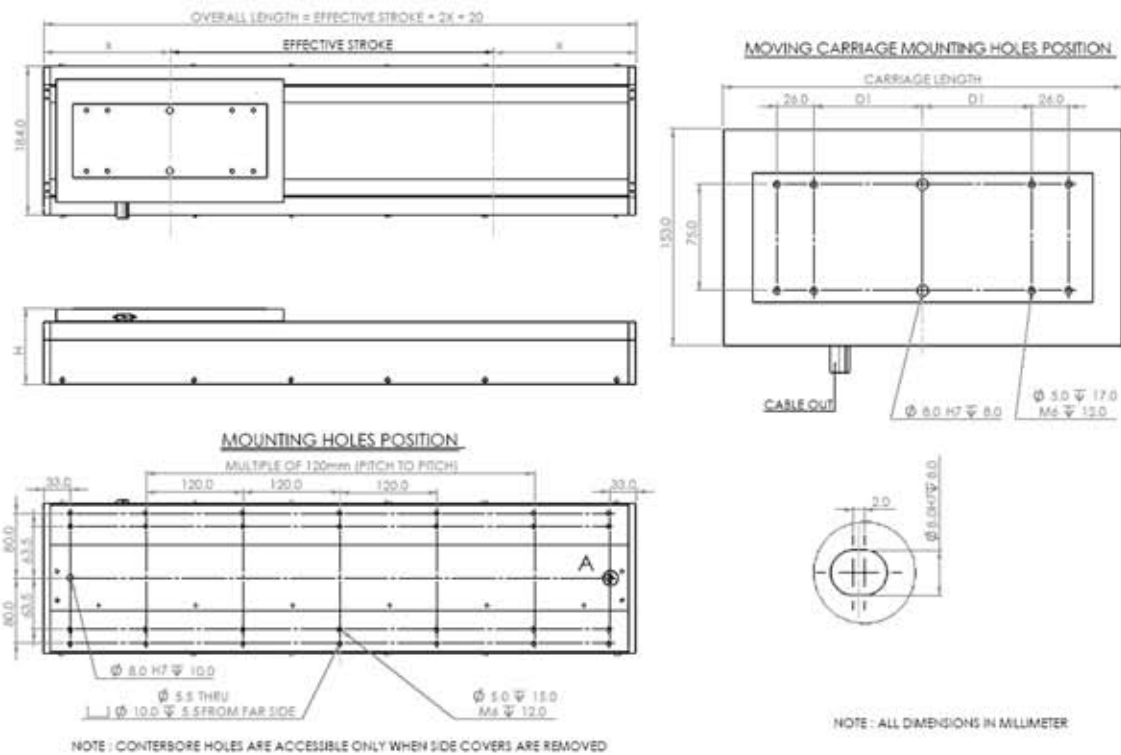


Datasheet

Specification Model	Effective stroke (mm)	Carriage length (mm)	Overall length (mm)	H (mm)	D1 (mm)	X (mm)	Overall mass (kg)	Moving mass (kg)	Continuous force at 100°C (N)	Peak force (N)
DGL180-S2 <i>(driven by AUM3-S2)</i>	200	222.0	472	94.0	47.0	126.0	14.3	3.70	72.0	288.0
	300		572				17.5			
	400		672				19.5			
	500		772				21.6			
	600		872				23.3			
	1000		1272				31.2			
	1200		1472				35.3			
	1500		1772				41.1			
	2000		2272				¹ 104.0			
	2500		2772	60.6						
	DGL180-S3 <i>(driven by AUM3-S3)</i>		200	282.0			532			
300		632	17.5							
400		732	19.5							
500		832	21.6							
600		932	23.3							
1000		1332	31.2							
1200		1532	35.0							
1500		1832	40.8							
2000		2332	¹ 104.0		50.2					
2500		2832	60.1							
DGL180-S4 <i>(driven by AUM3-S4)</i>		200	282.0		532	94.0	77.0	156.0	16.4	5.90
	300	632		18.5						
	400	732		20.5						
	500	832		22.6						
	600	932		24.3						
	1000	1332		32.2						
	1200	1532		36.0						
	1500	1832		41.8						
	2000	2332		¹ 104.0	51.2					
	2500	2832		61.1						

¹ Subjected to confirmation

Dimensional Drawing



Part Numbering

Motor series (type)	Motor size (type)	¹ Effective stroke (mm)	Encoder resolution (μm)	² Cover option (type)
DGL180	- S2, S3, or S4	- 200 – 2500	- 0.1, 1.0, or 5.0	- S, C, B, or CR

Example : *DGL180-S2-300-0.1-CR*

Matching Drivers / Amplifiers

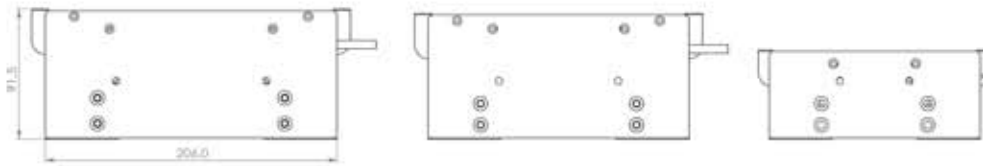
DAP31, DDP21, DDP51, ADL43

¹ Please contact us for customized stroke

²

- S = Standard cover type
- C = Conventional cover type
- B = Bellow cover type
- CR = Clean Room cover type

DGL200 Series (Standard Cover)

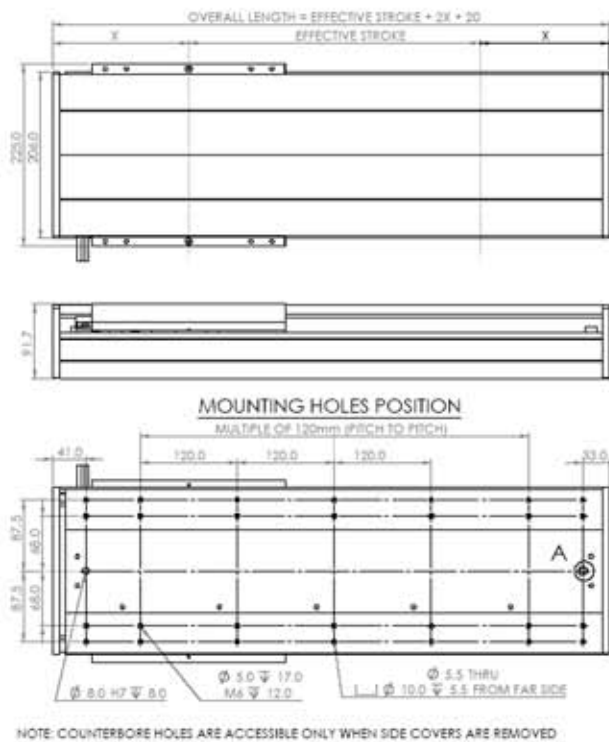


Datasheet

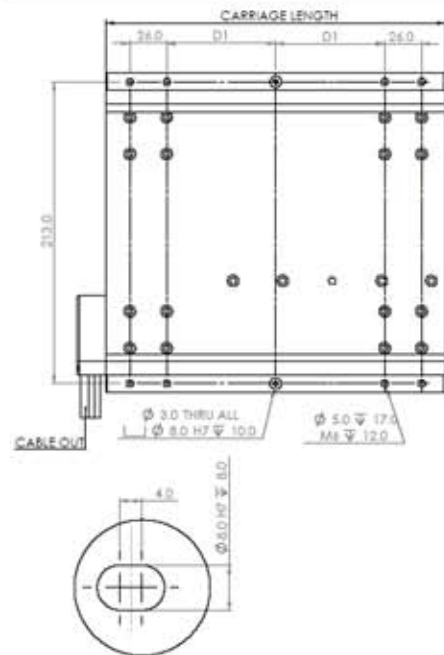
Specification Model	Effective stroke (mm)	Carriage length (mm)	Overall length (mm)	H (mm)	D1 (mm)	X (mm)	Overall mass (kg)	Moving mass (kg)	Continuous force at 100°C (N)	Peak force (N)
DGL200-S2 <i>(driven by AUM4-S2)</i>	200	180.0	480	91.7	47.0	130.0	17.5	2.6	112.0	448.0
	300		580				19.9			
	400		680				23.3			
	500		780				26.7			
	600		880				29.1			
	1000		1280				41.7			
	1200		1480				48.5			
	1500		1780	57.7						
	2000		2280	¹ 101.7			73.7			
	2500		2780	88.8						
	DGL200-S3 <i>(driven by AUM4-S3)</i>		200	240.0			540			
300		640	23.2							
400		740	26.5							
500		840	29.0							
600		940	31.5							
1000		1340	44.1							
1200		1540	51.0							
1500		1840	60.1							
2000		2340	¹ 101.7		76.1					
2500		2840	91.2							
DGL200-S4 <i>(driven by AUM4-S4)</i>		200	240.0		540	91.7	77.0	160.0	20.8	4.1
	300	640		24.2						
	400	740		27.5						
	500	840		30.0						
	600	940		32.5						
	1000	1340		45.1						
	1200	1540		52.0						
	1500	1840		61.1						
	2000	2340		¹ 101.7	77.1					
	2500	2840		92.2						

¹ Subjected to confirmation

Dimensional Drawing



MOVING CARRIAGE MOUNTING HOLES POSITION



Part Numbering

Motor series (type)	Motor size (type)	¹ Effective stroke (mm)	Encoder resolution (μ m)	² Cover option (type)
DGL200	- S2, S3, or S4	- 200 - 2500	- 0.1, 1.0, or 5.0	- S, C, B, or CR

Example : DGL200-S2-300-0.1-S

Matching Drivers / Amplifiers

DAP31, DDP21, DDP51, ADL43

¹ Please contact us for customized stroke

²

- S = Standard cover type
- C = Conventional cover type
- B = Bellow cover type
- CR = Clean Room cover type

DGL200 Series (Conventional Cover)

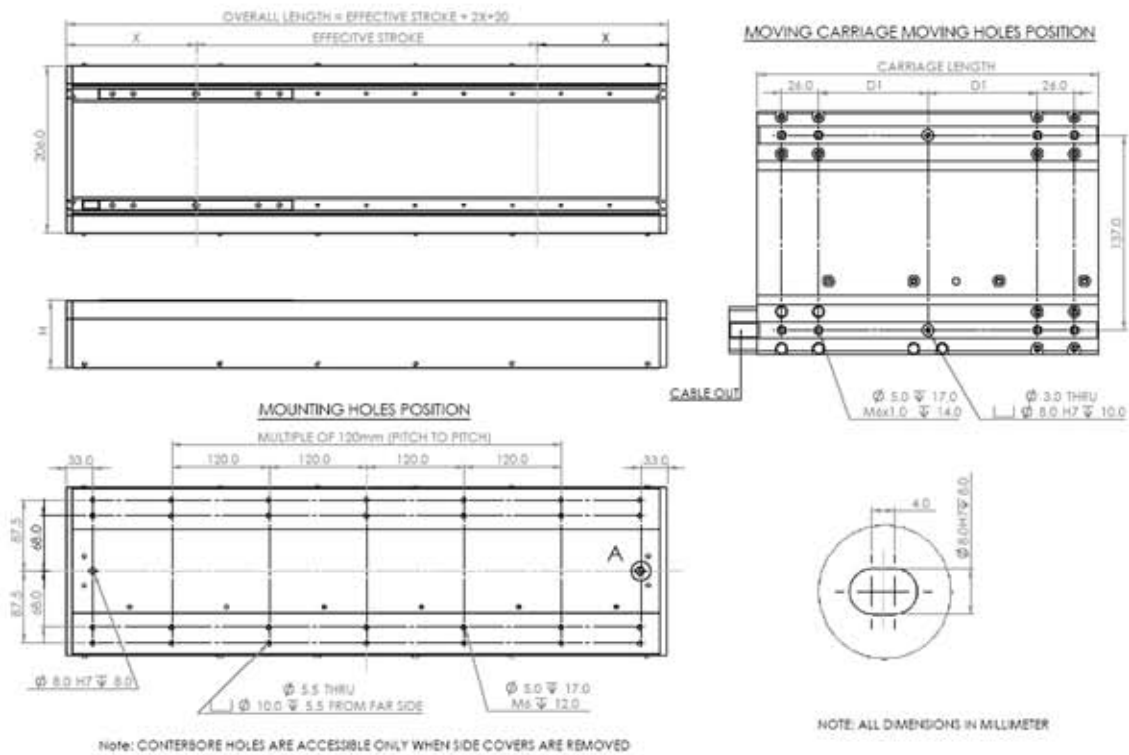


Datasheet

Specification Model	Effective stroke (mm)	Carriage length (mm)	Overall length (mm)	H (mm)	D1 (mm)	X (mm)	Overall mass (kg)	Moving mass (kg)	Continuous force at 100°C (N)	Peak force (N)
DGL200-S2 <i>(driven by AUM4-S2)</i>	200	180.0	480	83.5	47.0	130.0	17.3	2.60	112.0	448.0
	300		580				21.0			
	400		680				23.0			
	500		780				25.3			
	600		880				27.1			
	1000		1280				41.7			
	1200		1480				45.7			
	1500		1780				56.7			
	2000		2280				¹ 93.5			
	2500		2780	87.9						
DGL200-S3 <i>(driven by AUM4-S3)</i>	200	240.0	540	83.5	77.0	160.0	19.5	3.10	168.0	672.0
	300		640				23.0			
	400		740				26.5			
	500		840				29.0			
	600		940				31.3			
	1000		1340				44.0			
	1200		1540				51.0			
	1500		1840				60.1			
	2000		2340				¹ 93.5			
	2500		2840	91.3						
DGL200-S4 <i>(driven by AUM4-S4)</i>	200	240.0	540	83.5	77.0	160.0	20.5	4.10	224.0	896.0
	300		640				24.0			
	400		740				27.4			
	500		840				29.9			
	600		940				33.2			
	1000		1340				45.0			
	1200		1540				52.0			
	1500		1840				61.1			
	2000		2340				¹ 93.5			
	2500		2840	92.3						

¹ Subjected to confirmation

Dimensional Drawing



Part Numbering

Motor series (type)	Motor size (type)	¹ Effective stroke (mm)	Encoder resolution (μm)	² Cover option (type)
DGL200	S2, S3, or S4	200 – 2500	0.1, 1.0, or 5.0	S, C, B, or CR

Example : DGL200-S2-300-0.1-C

Matching Drivers / Amplifiers

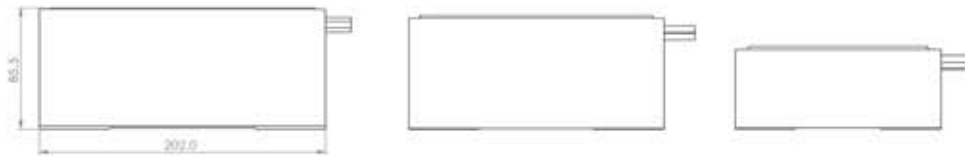
DAP31, DDP21, DDP51, ADL43

¹ Please contact us for customized stroke

²

- S = Standard cover type
- C = Conventional cover type
- B = Bellow cover type
- CR = Clean Room cover type

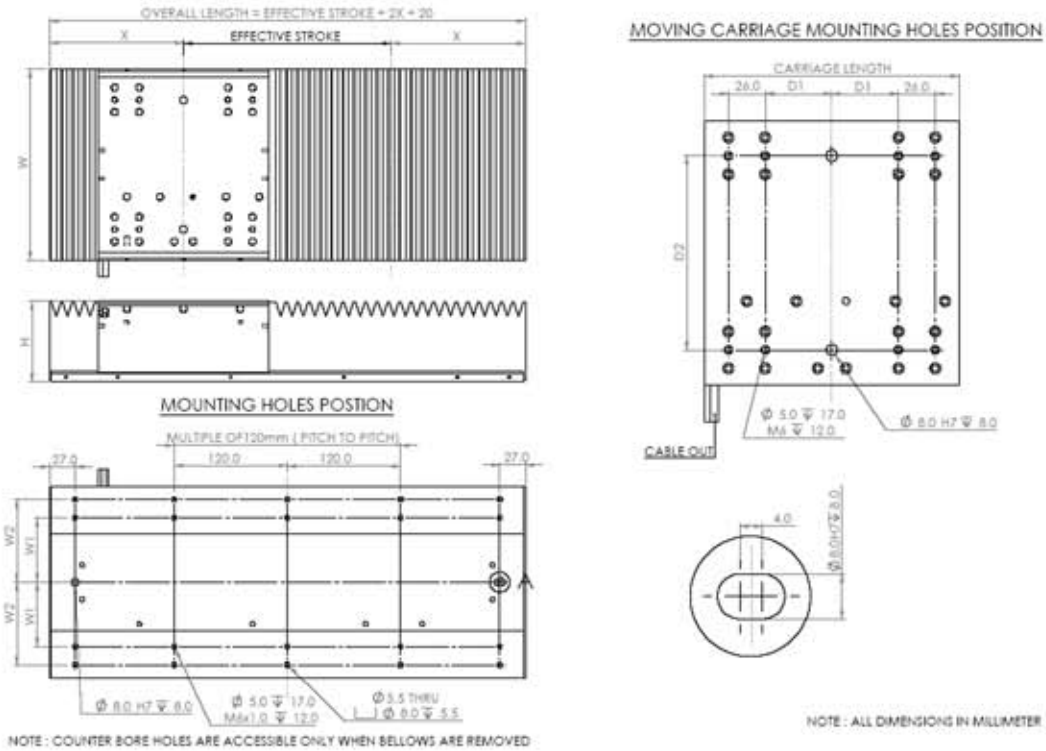
DGL200 Series (Bellow Cover)



Datasheet

Specification Model	Effective stroke (mm)	Carriage length (mm)	Overall length (mm)	H (mm)	D1 (mm)	X (mm)	Overall mass (kg)	Moving mass (kg)	Continuous force at 100°C (N)	Peak force (N)
DGL200-S2 <i>(driven by AUM4-S2)</i>	200	180.0	504	85.5	47.0	137.0	17.4	4.30	112.0	448.0
	300		644				20.5			
	400		774				23.9			
	500		914				26.5			
	600		1054				29.9			
DGL200-S3 <i>(driven by AUM4-S3)</i>	200	240.0	564	85.5	77.7	137.0	20.2	5.40	168.0	672.0
	300		704				23.1			
	400		834				26.5			
	500		974				30.0			
	600		1114				32.5			
DGL200-S4 <i>(driven by AUM4-S4)</i>	200	240.0	564	85.5	77.0	137.0	20.5	5.70	224.0	896.0
	300		704				23.4			
	400		834				26.8			
	500		974				30.3			
	600		1114				32.8			

Dimensional Drawing



Model	Dimension, mm		
	W	W1	W2
DGL200-S2	202.0	68.0	87.5
DGL200-S3	202.0	68.0	87.5
DGL200-S4	202.0	68.0	87.5

Part Numbering

Motor series (type) Motor size (type) ¹Effective stroke (mm) Encoder resolution (μm) ²Cover option (type)

DGL200 - S2, S3, or S4 - 200 – 2500 - 0.1, 1.0, or 5.0 - S, C, B, or CR

Example : DGL200-S2-300-0.1-B

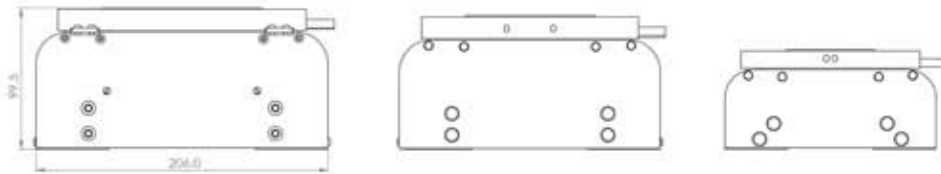
Matching Drivers / Amplifiers

DAP31, DDP21, DDP51, ADL43

¹ Please contact us for customized stroke

² S = Standard cover type
 C = Conventional cover type
 B = Bellow cover type
 CR = Clean Room cover type

DGL200 Series (Clean Room Cover)

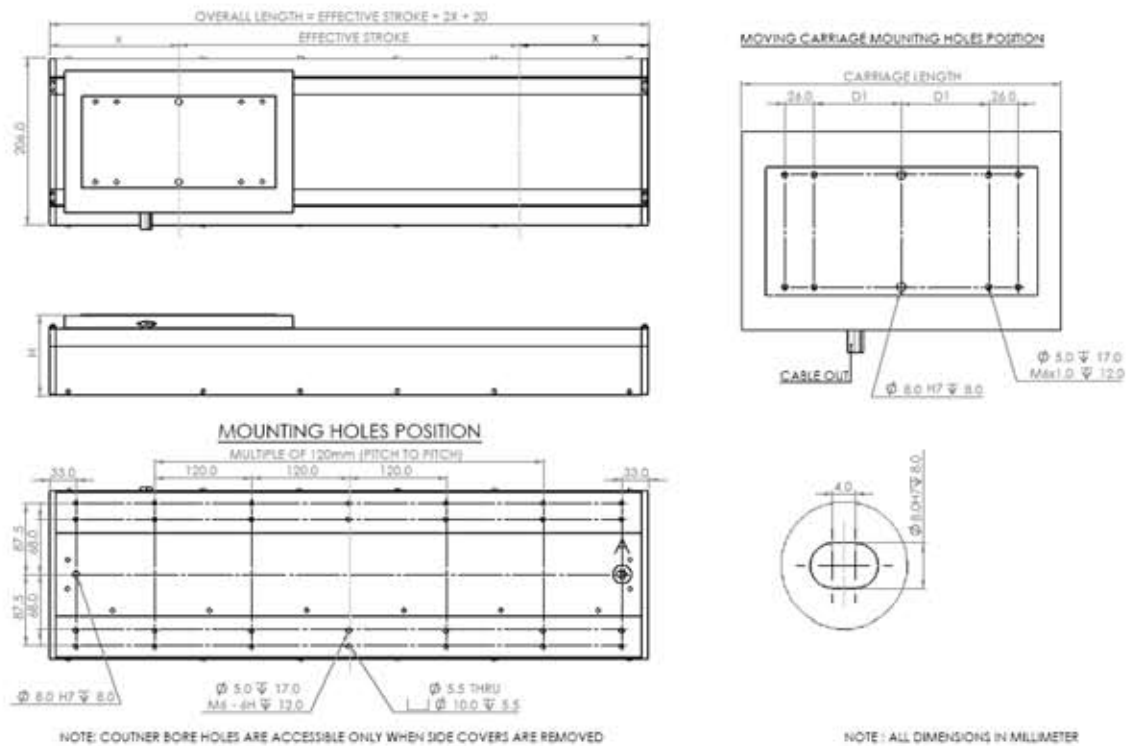


Datasheet

Specification Model	Effective stroke (mm)	Carriage length (mm)	Overall length (mm)	H (mm)	D1 (mm)	X (mm)	Overall mass (kg)	Moving mass (kg)	Continuous force at 100°C (N)	Peak force (N)
DGL200-S2 <i>(driven by AUM4-S2)</i>	200	222.0	480	99.5	47.0	130.0	21.4	4.10	112.0	448.0
	300		580				25.1			
	400		680				27.2			
	500		780				29.4			
	600		880				31.3			
	1000		1280				45.8			
	1200		1480				49.8			
	1500		1780	60.8						
	2000		2280	¹ 109.5			76.0			
	2500		2780	92.0						
	DGL200-S3 <i>(driven by AUM4-S3)</i>		200	282.0			540			
300		640	28.2							
400		740	31.7							
500		840	34.2							
600		940	36.5							
1000		1340	49.2							
1200		1540	56.2							
1500		1840	65.3							
2000		2340	¹ 109.5		81.3					
2500		2840	96.5							
DGL200-S4 <i>(driven by AUM4-S4)</i>		200	282.0		540	99.5	77.0	160.0	26.7	6.20
	300	640		30.2						
	400	740		33.6						
	500	840		36.1						
	600	940		39.4						
	1000	1340		51.2						
	1200	1540		58.2						
	1500	1840		67.3						
	2000	2340		¹ 109.5	83.3					
	2500	2840		98.5						

¹ Subjected to confirmation

Dimensional Drawing



Part Numbering

Motor series (type)	Motor size (type)	¹ Effective stroke (mm)	Encoder resolution (μm)	² Cover option (type)
DGL200	- S2, S3, or S4	- 200 – 2500	- 0.1, 1.0, or 5.0	- S, C, B, or CR

Example : *DGL200-S2-300-0.1-CR*

Matching Drivers / Amplifiers

DAP31, DDP21, DDP51, ADL43

¹ Please contact us for customized stroke

² S = Standard cover type
C = Conventional cover type
B = Bellow cover type
CR = Clean Room cover type