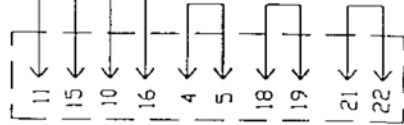
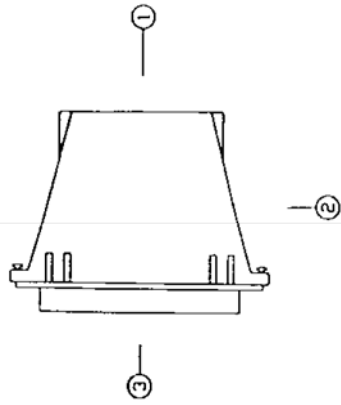
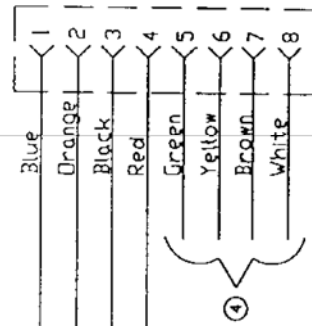


CONNECTOR
OP 1.1a

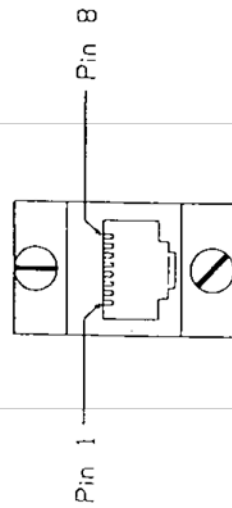
25 Pin D-sub connector



8 Pin Modular Connector



Modular connector pin numbering detail



- ① FEMALE 8-PIN MODULAR (RJ-45) CONNECTOR
- ② CONVERTER SHELL WITH CAPTIVE SCREWS
- ③ 25-PIN MALE D-SUB CONNECTOR
- ④ CUT OFF WIRES AS CLOSE TO MODULAR CONNECTOR AS POSSIBLE AND DISCARD.

DATE	01/11/96	PART NO.	CON-QPM0D8
DESIGNER	JWB	TITLE	25D TO QUICK PANE. MODE
DRAWN BY	DRF	METHOD	ASSEMBLY DRAWING
APPROVAL	<i>[Signature]</i>	ACAD	B/CBA959-1
			1 1 D.

ORMEC SYSTEMS CORP