

New Feature Announcement

Contact: Sales
ORMEC Systems Corp
19 Linden Park
Rochester, NY 14625
(585) 385-3520
sales@ormec.com

Torque Sharing

October 17, 2016 – Rochester, New York, USA – ORMEC is pleased to announce the Torque Sharing feature with SMLC and ServoWire® drives.

Originally developed for the [NASA's Vehicle Stabilizer Test Fixture](#) program awarded to ORMEC in 2015, Torque Sharing allows the user to drive a single axis with multiple servo motors, only limited by the axes available on the [SMLC](#).

Torque Sharing can be used to prevent misalignment on a Gantry Machine. Attaching two servo motors to drive both columns of the X-Axis in a Torque Sharing master/slave axis configuration keeps both columns in-sync while preventing misalignment.

Also, as the Torque Sharing name implies, the required torque for each servo motor is half the required torque for the axis. If the X-Axis requires 400 in-lb's to meet the performance criteria, then two 200 in-lb's motors can be used.

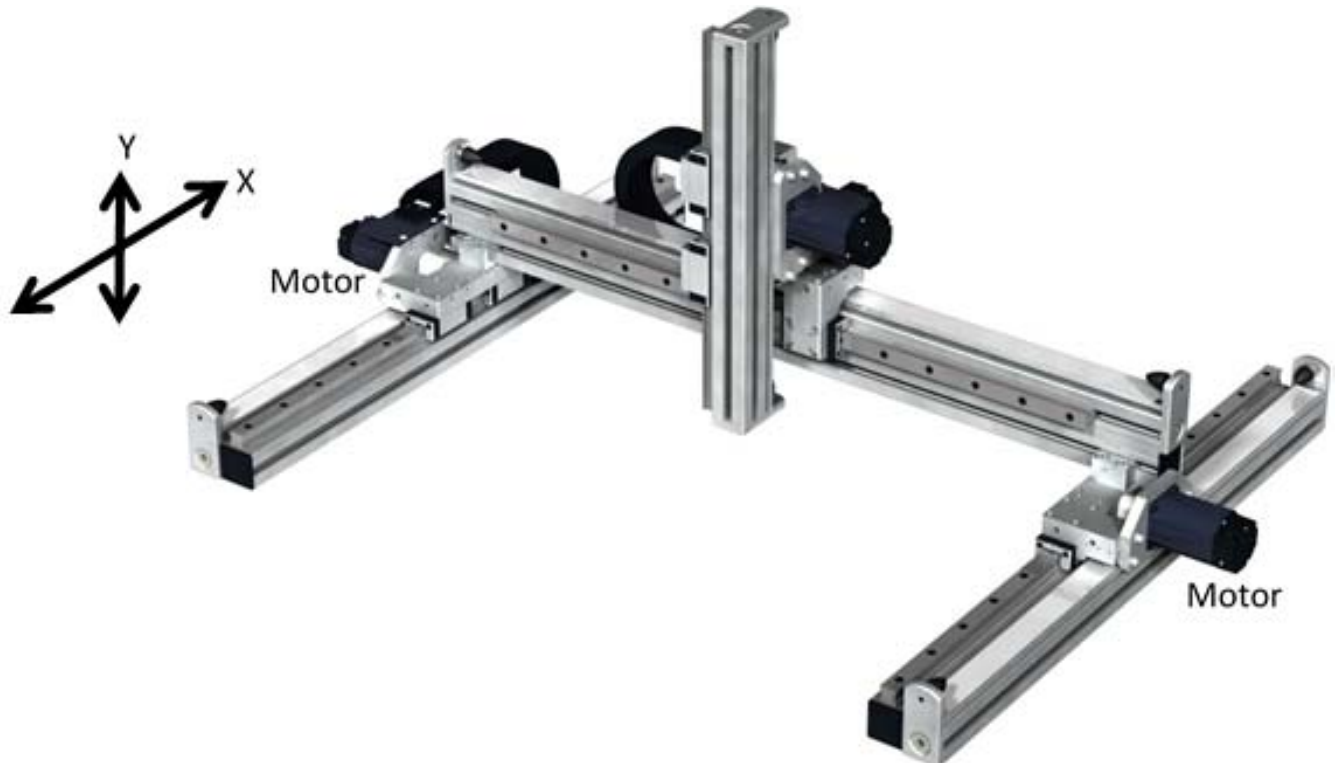


Figure 1: Gantry Machine with two motors driving X-Axes

Torque Sharing is also not limited to linear axis, but can be used on rotary axis, such as controlling the winding and unwinding of a large spool. Now large spools can be tightly controlled with two Servo Motors sharing the torque.



Figure 2: UnWind/ReWind Section of a large spool controlled by two servo motors.

Torque Sharing is also not limited to two servo motors. As shown in figure 3, 3-servo motors are used to share the load on two different axes. The Torque Sharing feature is only limited by the total amount of available ServoWire® axes on the SMLC.

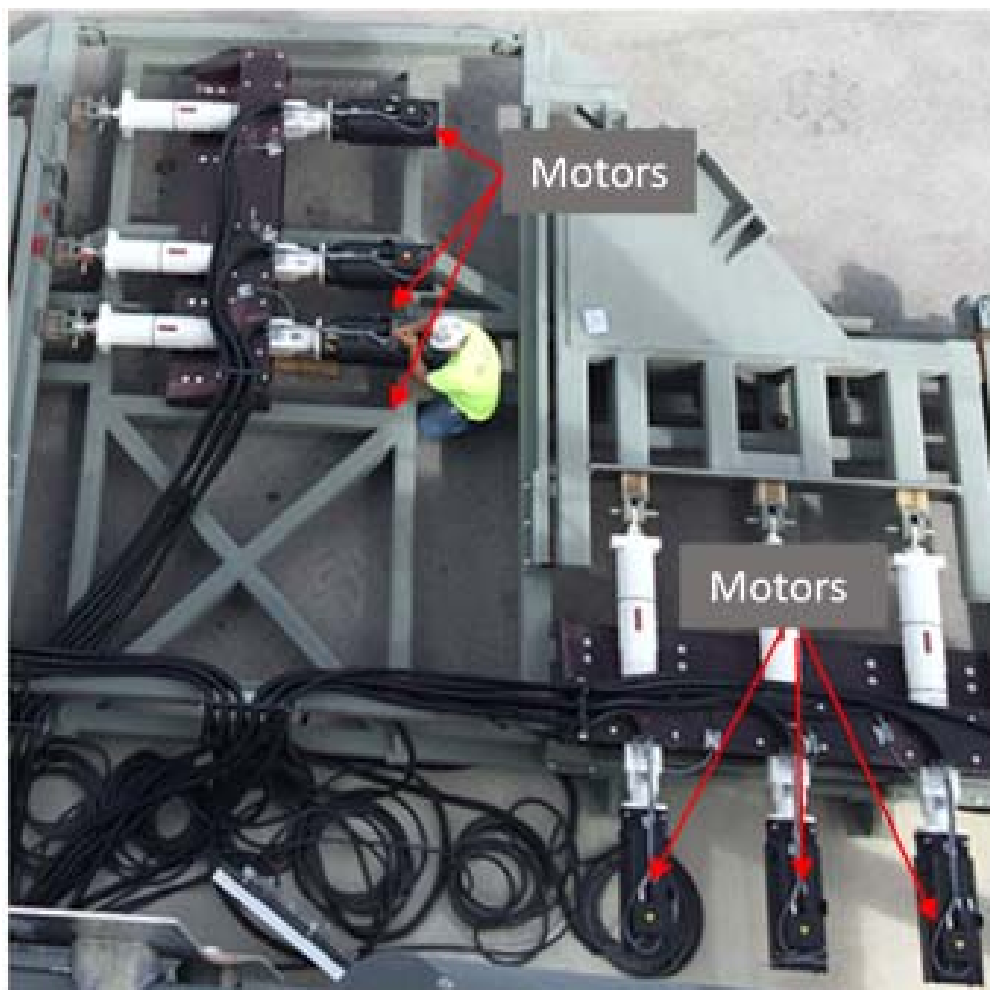


Figure 3: 3 Servo Motors sharing the load.



Productivity in Motion

Contact your ORMEC Sales Representative for more information or email ORMEC directly at SALES@ORMEC.COM

About ORMEC

ORMEC's industry experts provide motion control solutions in the aerospace, automotive, energy, medical, pharmaceutical, food and beverage, textile, paper, packaging, metal forming and converting industries. Our systems excel in the most demanding applications including packaging, converting, labeling, web and material handling, as well as general assembly and winding.

Our highly reliable motion control solutions integrate motion controllers, logic control, servo drives, servo motors, linear motors, actuators, HMIs, and I/O into cost-effective factory automation solutions. ORMEC provides application expertise and systems solutions for all types of motion control challenges and offers a team of Systems and Applications Engineers with over 80 years of motion control experience. The company continues to be a leader in the development of motion control solutions and technology, including being the first to introduce an industrial motion control system using a high-speed FireWire network.

For further information visit the ORMEC website at www.ormec.com. Detailed specifications, manuals and videos for the XD-are available at www.ormec.com/Indexer